

## Features

- Frame functions as a towel rack and a wall-mounted storage system.
- Holds Draft components including trays, containers, hooks, and dishes (sold separately).
- Arrange multiple frames together to expand your wall system.
- Coordinates with other products in the Draft collection.

## Material

- Premium metal construction for durability and reliability.
- KOHLER finishes resist corrosion and tarnishing.

## Installation

- Installation template and tools included.

## Recommended Products/Accessories

K-23723 Faucet cleaner



## Codes/Standards


None Applicable

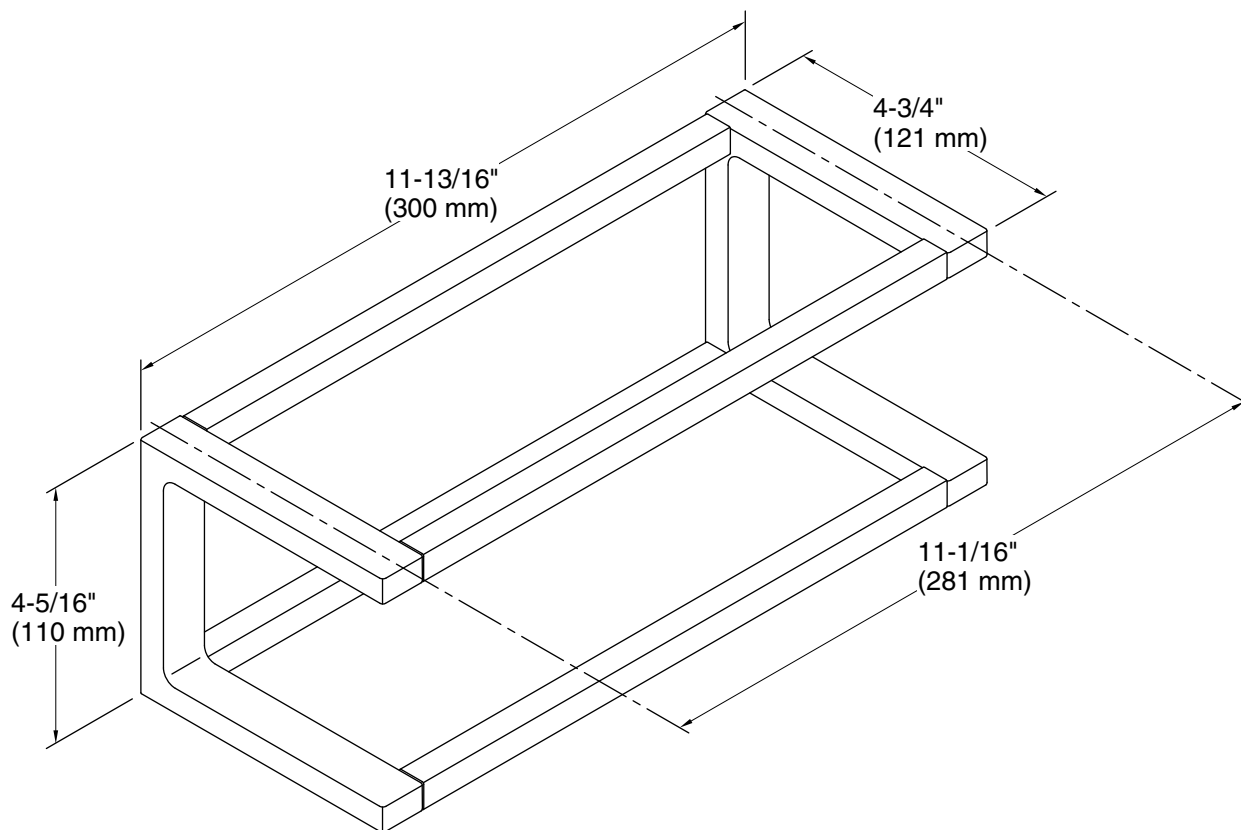
## KOHLER® Faucet Lifetime Limited Warranty

See website for detailed warranty information.

## Available Colors/Finishes

*Color tiles intended for reference only.*

| Color   | Code | Description              |
|---|------|--------------------------|
|  | CP   | Polished Chrome          |
|  | SN   | Vibrant® Polished Nickel |
|  | BN   | Vibrant® Brushed Nickel  |
|  | BL   | Matte Black              |
|  | RGD  | Vibrant Rose Gold        |



## Technical Information

All product dimensions are nominal.

Material: Zinc, Brass

## Notes

Install this product according to the installation instructions.

**CAUTION:** Risk of personal injury. Do not install these products in any area where they are likely to be used inadvertently as a grab bar or support bar. These products are not designed or intended for use as a grab bar or support bar.